

### Ordering Information

HEMOSTAR® 14.5 Fr Catheter Kits			
Product Code	Description	Tip to Cuff	Tip to Bifurcation
<b>Straight Catheters</b>			
5833150	Standard Kit	15 cm	20 cm
5833690	Standard Kit	19 cm	24 cm
5833730	Standard Kit	23 cm	28 cm
5833270	Standard Kit	27 cm	32 cm
5833310	Standard Kit	31 cm	36 cm
5833350	Standard Kit	35 cm	40 cm
5834420	Standard Kit	42 cm	47 cm
<b>ALPHACURVE® Catheters</b>			
5835150	Standard Kit	19 cm	25 cm
5835190	Standard Kit	24 cm	29 cm
5835230	Standard Kit	28 cm	33 cm
5835270	Standard Kit	31 cm	37 cm

### Ordering Information

HEMOSTAR® XK 16 Fr Catheter Kits			
Product Code	Description	Tip to Cuff	Tip to Bifurcation
<b>Straight Catheters</b>			
5883690	Standard Kit	19 cm	24 cm
5883730	Standard Kit	23 cm	28 cm
5883270	Standard Kit	27 cm	32 cm
5883310	Standard Kit	31 cm	36 cm
5883350	Standard Kit	35 cm	40 cm
5884420	Standard Kit	42 cm	47 cm
<b>ALPHACURVE® Catheters</b>			
5885150	Standard Kit	19 cm	25 cm
5885190	Standard Kit	24 cm	29 cm
5885230	Standard Kit	28 cm	33 cm
5885270	Standard Kit	31 cm	37 cm



**C. R. Bard GmbH**  
 Wachhausstraße 6  
 D-76227 Karlsruhe  
 Tel: +49 721 9445-124  
 Fax: +49 721 9445-100  
 www.bard.de

**Bard Medica S.A.**  
 Seestrasse 64  
 CH-8942 Oberrieden/Zürich  
 Tel: +41 44 722 53 60  
 Fax: +41 44 722 53 70  
 www.crbard.ch

**Bard Medica S.A.**  
 Thaliastraße 125a/1/5  
 A-1160 Wien  
 Tel: +43 1 49 49 130  
 Fax: +43 1 49 49 130-30  
 www.bard.at

**Bard Czech Republic s.r.o.**  
 Tábořská 619/46  
 CZ-140 00 Praha 4  
 Tel: +420 242 408 630  
 Fax: +420 242 410 185  
 www.crbard.com

**Bard Poland Sp. z o. o.**  
 ul. Cybernetyki 7B  
 P-02-677 Warszawa  
 Tel: +48 22 321 09 30  
 Fax: +48 22 321 09 38  
 www.crbard.pl

Bard, AirGuard, Alphacurve, HemoStar and SureCuff are trademarks and/or registered trademarks of C. R. Bard, Inc. All other trademarks are the property of their respective owners. Copyright © 2010 C. R. Bard GmbH. All rights reserved. BR00690-E (03/2010) BCE Please consult product labels and inserts for any indications, contraindications, hazards, warnings, cautions and instructions for use.



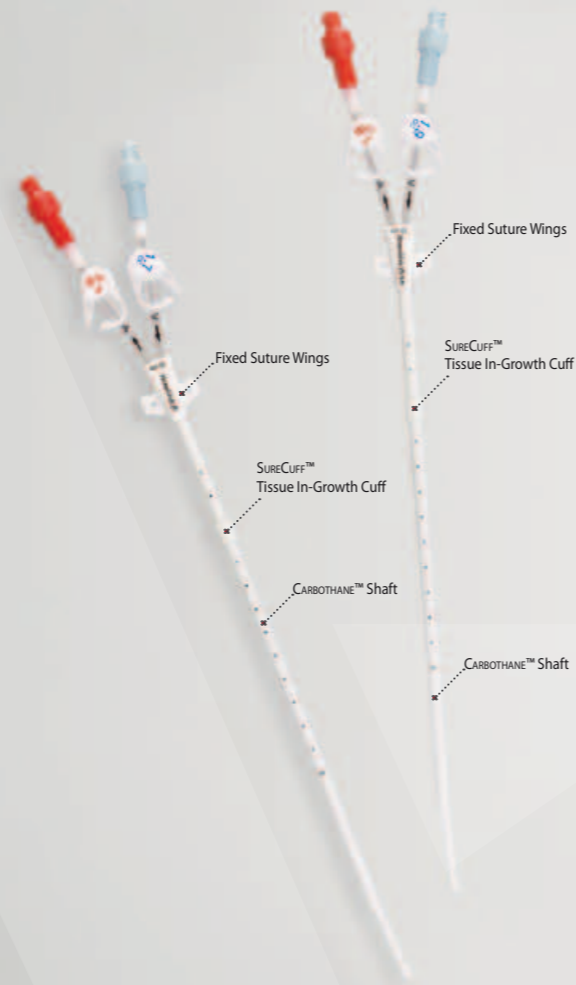


### Exceptional Performance

- CARBOTHANE™ catheter material – affords strength for longevity and softness for flexibility and patient comfort
- Large lumens and non-restrictive tip design – enable flow rates as high as 500 ml/min

### Easy Insertion

- Exceptional kink resistance – simplifies insertion by allowing greater flexibility in tunnel location
- Guidewire channel – on the venous tip facilitates threading for easy over-the-wire insertion
- Malleable tunneler, PTFE introducer and stiff guide-wire – facilitate catheter insertion



### Optimized Performance for Difficult Patients

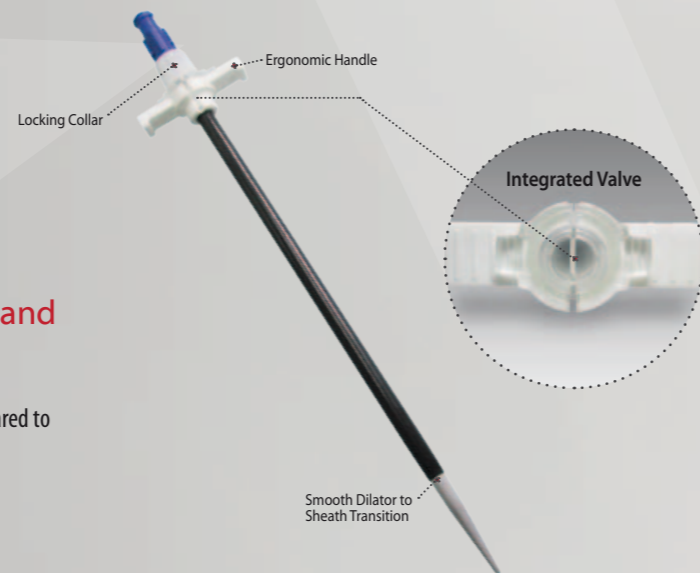
HEMOSTAR® XK catheter offers the same advantages as the HEMOSTAR® catheter with the following features:

- 16 Fr catheter – allows for flow rates of 500 ml/min with lower pressures than the 14.5 Fr HEMOSTAR® Catheter
- Increased longevity – larger inner-lumen area allows for flows of 500 ml/min even when occluded 15%



### Improved Protection from Air Embolism and Blood Loss

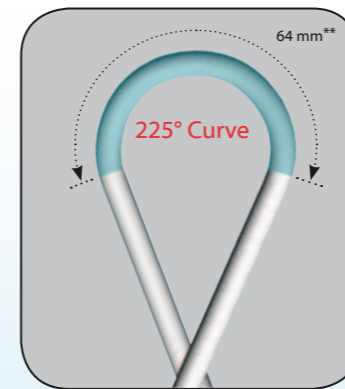
- Reduction in blood loss – a safer procedure when compared to non-valved introducers



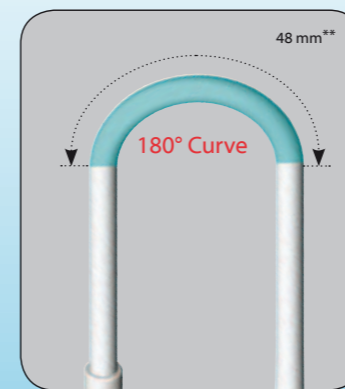
### New Greater Flexibility

The 225° curve on the ALPHACURVE® Pre-Curved Catheter configuration allows for 16 mm more tip adjustability than the 180° U-Curve configuration.

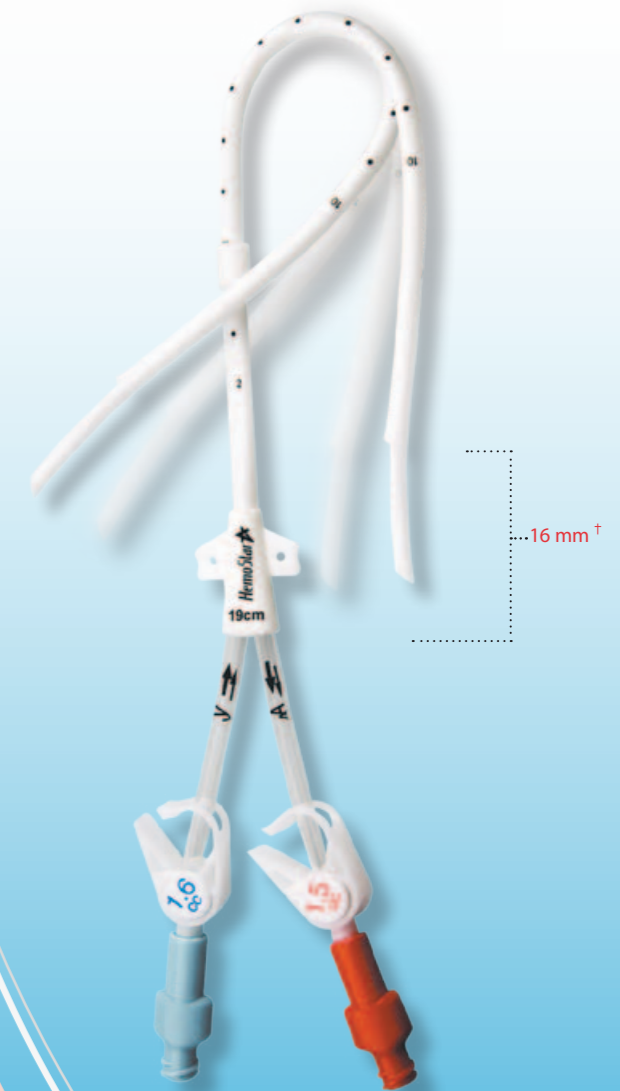
ALPHACURVE® Pre-Curved Catheter Design



Current U-Curve Design



- ALPHACURVE® Pre-Curved Catheter Design – results in a greater curve length than U-shaped pre-curved catheters.



\*\* Data on file.

† Not shown in actual size.